

Replacing Hard Drive in a PS 3000 Series RAID



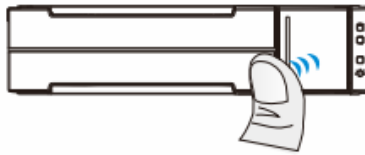
WARNING

Keep a replacement on hand before replacing the hard drive. Do not leave the drive tray open for an extended period of time or the internal airflow will be disrupted.

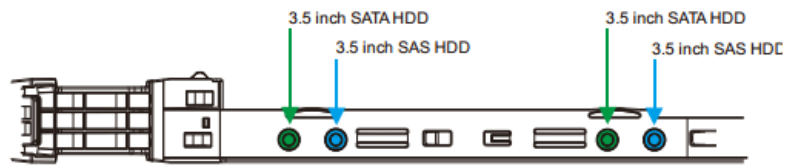
Handle the hard drives with extreme care. Carry them only by the edges and avoid touching their circuit's part and interface connectors.

To replace the hard drive, follow these steps below.

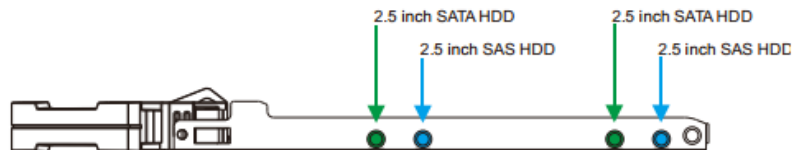
1. **Identify the drive tray.** Use the firmware utility, EonOne, or the LED on the drive tray to identify faulty hard drive(s). The drive bays are numbered from left to right and from top to bottom.
2. **Open the drive tray.** Press the button. The spring handle will pop out.



3. **Remove the drive tray.** Pull the tray one inch away from the enclosure. Wait for at least 30 seconds for the disk drive to spin down, and then gently withdraw the drive tray from the chassis.

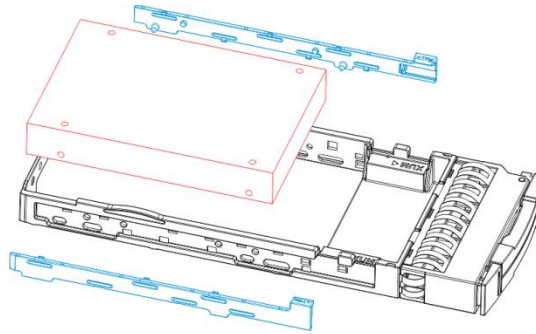


3.5 inch HDD tray



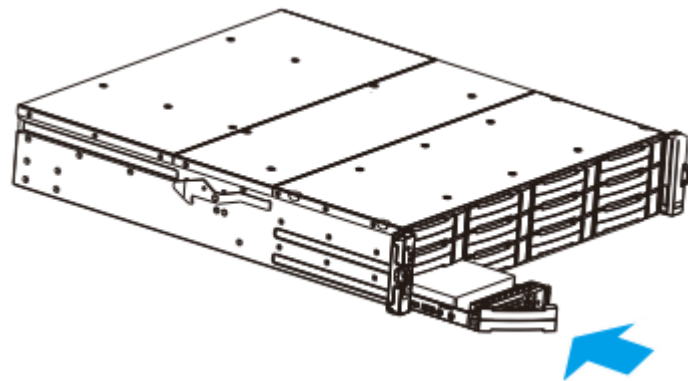
1.5 inch HDD tray

The drive can be fully released after both the clips are removed.

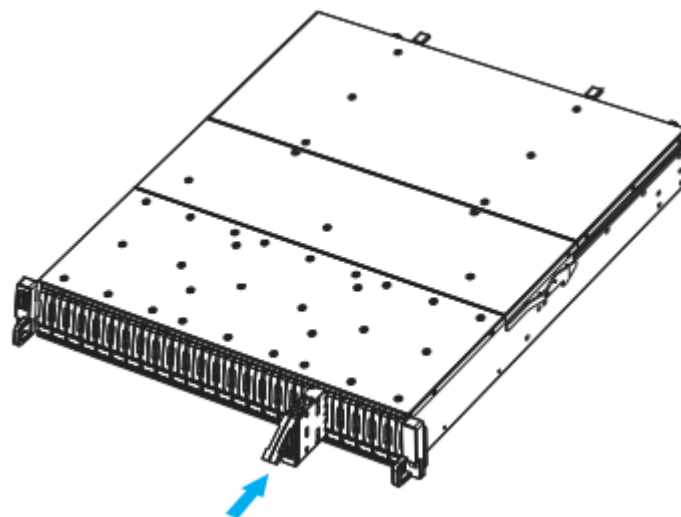


(without MUX board)

4. **Replace the drive.**
5. **Insert the drive tray back into the enclosure.** Install the drive tray with the front bezel open. When fully inserted, close the front bezel.



3.5 inch



2.5 inch

6. **Check for drive error.** Make sure that there is no more error reported.